

Airfield Lighting

Spare Part List

Ground Fixation of Inset Fittings

THORN
Airfield Lighting

- Shallow Base
- Adapter Rings



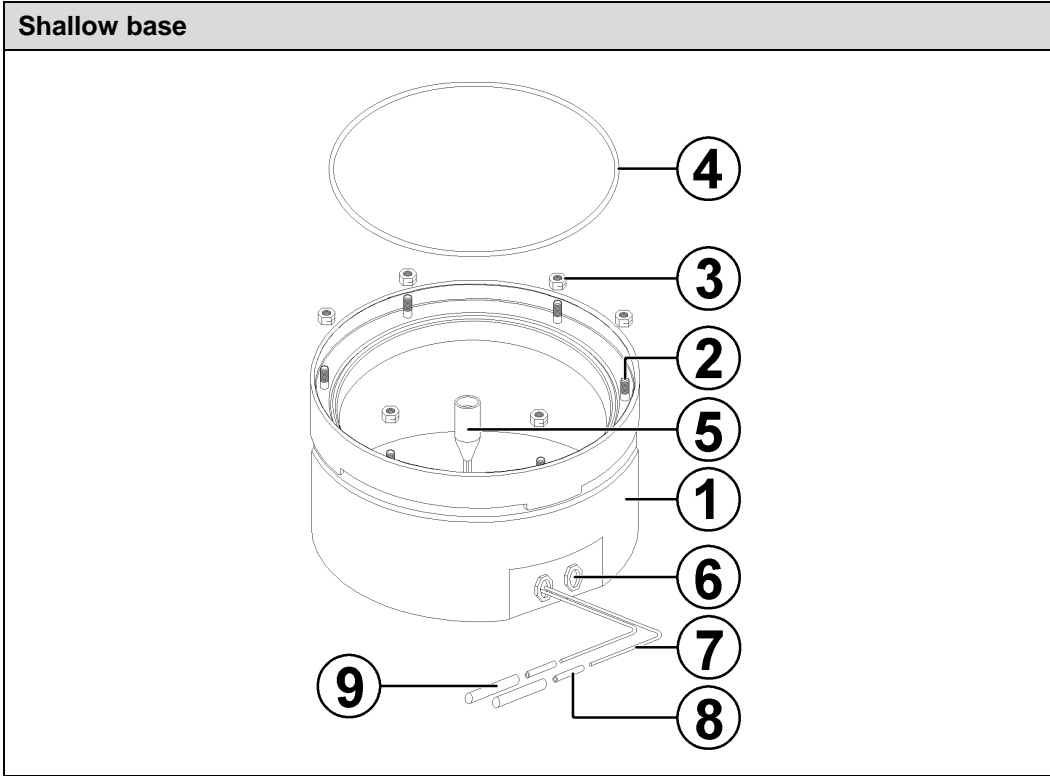
Note: *This page is blank for convenient double-sided printing.*

**SHALLOW BASES
SPARE PART LIST**

The following is a list of spare parts and a view on the next page for shallow bases.

Note: Contact Safegate Group for assistance with ordering spare parts.

Item	Description	Quantity per		New Code	Old code
		base	code		
1	Shallow bases with side entry (not equipped)				
	- 8" 100 mm		1	13126	96217124
	- 8" MK2 133 mm		1	13306	96230842
	- 12" 100 mm		1	13141	96217140
	- 12" 150 mm		1	13140	96217139
	- 16" 183 mm		1	On request	On request
	Shallow bases with bottom entry (not equipped)				
	- 8" 133 mm		1	13124	96217122
	- 8" MK2 133 mm		1	12064	96230720
2	M10 Stud				
	- 8" shallow base	2	2	12831	96216778
	- 12" shallow base	6	6	-	96216778
	- 16" shallow base	6	6	12827	96216774
	Accessories for shallow bases				
3	M10 Nuts	2 or 6	12	12065	96217111
4	Watertight gasket for				
	- 8" shallow base	1	10	13092	96217083
			50	11566	96217084
	- 12" shallow base	1	25	13137	96217136
	- 16" shallow base	1	1	12825	96216772
5/7/8/9	Shallow base connection kit : - Style 7 FAA female connector - Compression packer - Crimping connectors - Heat shrinkable sleeve	1 or 2	1 50	13127 On request	96217125 502873
5	FAA style 7 female connector + compression packer	1 or 2	1	On request On request	48267 48262
6	Cap	0 or 1	1	13405	On request
7	Crimping Connection + Heat Shrinkable Sleeve	1 or 2	1	12592	96215741
	Earthing screws	1 or 2	1	On request	On request
<p>Note: Component availability or design may be subject to change due to unforeseen circumstances. This document is subject to change or new information from Safegate Group, as and when available or if required, with reservation for error or price changes.</p> <p>* Contact Safegate Group for assistance with ordering spare parts.</p>					

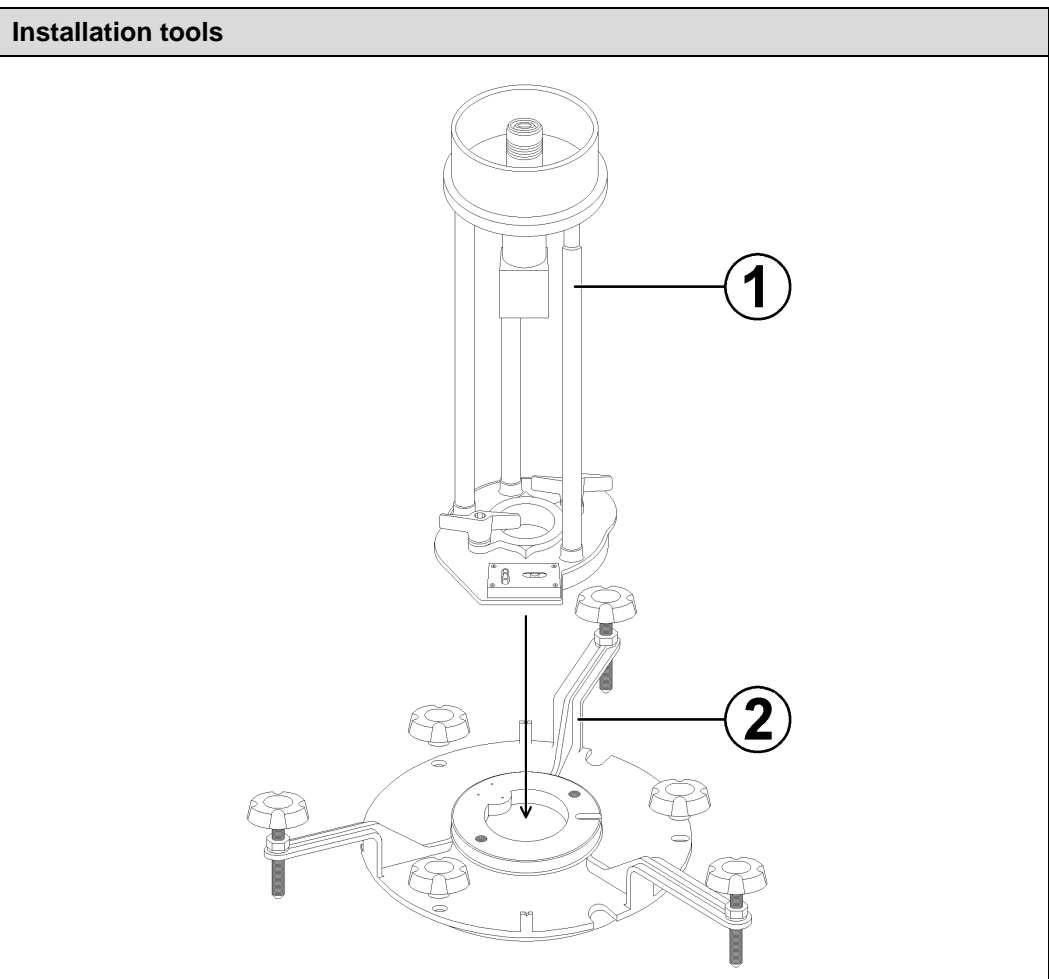


INSTALLATION TOOLS SPARE PART LIST

The following is a list of spare parts and a view on the next page for installation tools.

Note: Contact Safegate Group for assistance with ordering spare parts.

Item	Description	Quantity per code	New Code	Old code
1	Sight telescope	1	13300	96229348
2	Positioning jig - For 8" shallow base - For 12" shallow base	1	12727	96216660
		1	12728	96216661
3	Base extracting tool 8"/12"		13050	96217026

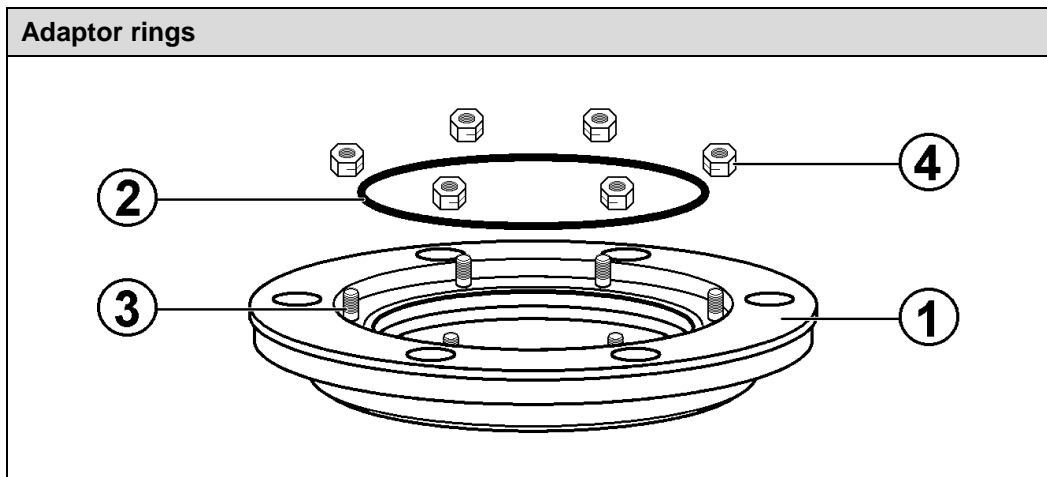


ADAPTOR RINGS SPARE PART LIST

The following is a list of spare parts and a view on the next page for adaptor rings.

Note: Contact Safegate Group for assistance with ordering spare parts.

Item	Description	Quantity per code	New Code	Old code
1	Equipped adaptor Ring			
	- 12"/8"	1	96215736	-
	- 16"/12"	1	96215698	-
	- SR8/8"	1	On request	48532
	- SR8/CAA 8"	1	On request	48130
	- SR9/12"	1	On request	48131
2	M10 stud for			
	- 8" Fitting	2	12831	96216778
	- 12" Fitting	6	-	96216778
	- 16" Fitting	6	12827	96216774
3	Watertight gasket for			
	- 8" shallow base	10	13092	96217083
		50	11566	96217084
	- 12" shallow base	25	13137	96217136
	- 16" shallow base	1	12825	96216772
4	M10 nut	12	12065	96217111



Note: *This page is blank for convenient double-sided printing.*

Check in to the future

How many aircraft can your airport handle today? Can this number be increased without adverse effects on the airport's safety level? It is a known fact that traffic volume will rise in the foreseeable future. More movements will demand monitoring of the entire airport. Requirements will be sharpened and the development of an integrated system

controlling not only ground movements but also air traffic close to the airport is of the highest interest. The International Civil Aviation Organization (ICAO) already describes A-SMGCS, Advanced Surface Movement Guidance and Control System, as the answer to the future modern airport need to control the entire airport space in one superior system.

To a larger extent than today's systems, A-SMGCS will rely on automated processes to give both pilots and traffic controllers exact information about positions and directions. Safegate Group delivers complete A-SMGCS solutions already, as well as all vital parts relating to it. Safegate Group can check your airport into the future – today!



Safegate Group HQ
Djurhagegatan 19
SE-213 76 Malmö, Sweden
Phone: +46 (0)40 699 17 00
Fax: +46 (0)40 699 17 30
E-mail: market@safegate.com

Australia
australia@safegate.com
+61 (0)3 9720-3233

Brazil
brazil@safegate.com
+55 11 2137 4405

China
china@safegate.com
+8610-85275297

Dubai
dubai@safegate.com
+971 4 452 75 75

Finland
finland@safegate.com
+358 (0)20754 7700

France
france@safegate.com
+33 (0)1 49 53 62 62

Germany
germany@safegate.com
+49 (0)231 9776754

India
india@safegate.com
+91 11 4106 1545

Malaysia
malaysia@safegate.com
+60 16 551 7126

Qatar
qatar@safegate.com
+974 436 9628

Russia
russia@safegate.com
+7 495 917 4614

Singapore
singapore@safegate.com
+65 6289 6893

Spain
spain@safegate.com
+34 917 157 598

UK
uk@safegate.com
+44 (0)208 573 0384

USA
usa@safegate.com
+1 763 535 92 99

THORN **IDMAN**
Airfield Lighting

SAFEGATE
GROUP 

Safegate Group offers solutions for increased safety, efficiency and environmental benefits to airports around the world. The company was founded in 1973 and has its headquarters in Malmö, Sweden. Safegate Group has over 70 partners around the globe in order to be close to its customers. The latest members of Safegate Group, Thorn AFL and Idman, have both over 40 years of experience in airfield lighting solutions for airports and heliports worldwide. Safegate Group's complete range of products and services, a "one-stop shop", provides solutions to customers and airborne travellers around the globe.

For more contact information and details:
www.safegate.com