

Airfield Lighting

Product Description

Inset & Elevated Light Support

- Transform Case
- Adaptor Ring
- Extension Ring
- Cover Plate
- Base Plate
- Frangible Coupling
- Curve Tube
- Tube
- Tripod Stand

Note: *This page is blank for convenient double-sided printing.*

1. INTRODUCTION

Airfield inset (8" and 12" in size) and elevated light support accessories are designed according to site requirements at airports, compatible with Safegate Group (Idman, SafeLED and Thorn) lights. It may be possible to use with other manufacturers light units. However, compatibility must be checked separately.

Bases are presented in a separate document.

Utilisation

- Ground fixing of 8" and 12" inset light fittings
- Elevated fixing of elevated fittings.

Compliance

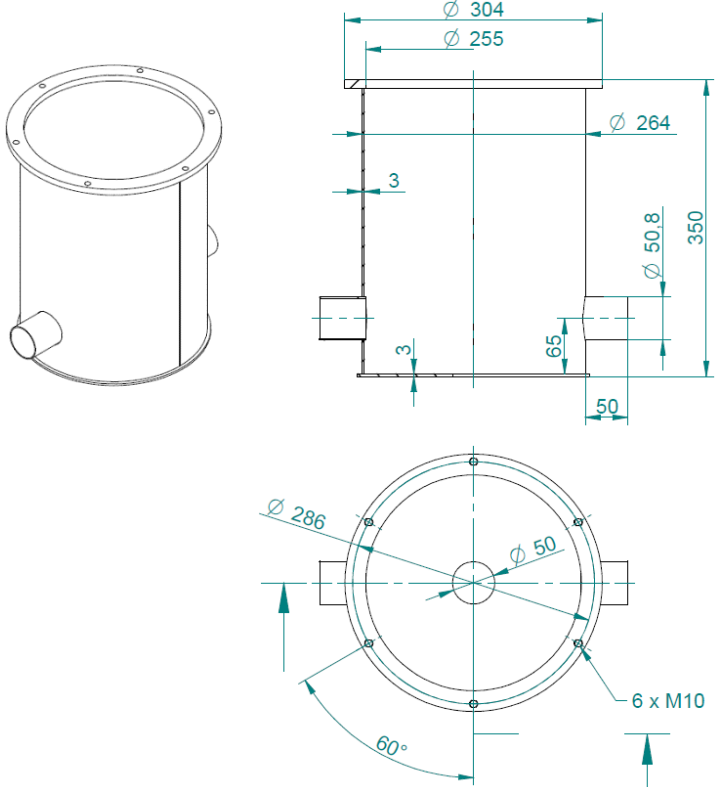
- FAA: AC 150/5345-42G
- ICAO Annex 14 Volume 1, Aerodrome Design and Operations, 6th edition, July 2013.

2. MAIN ADVANTAGES

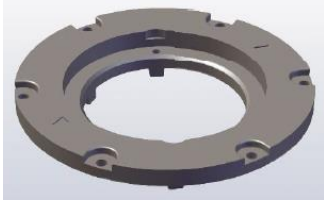
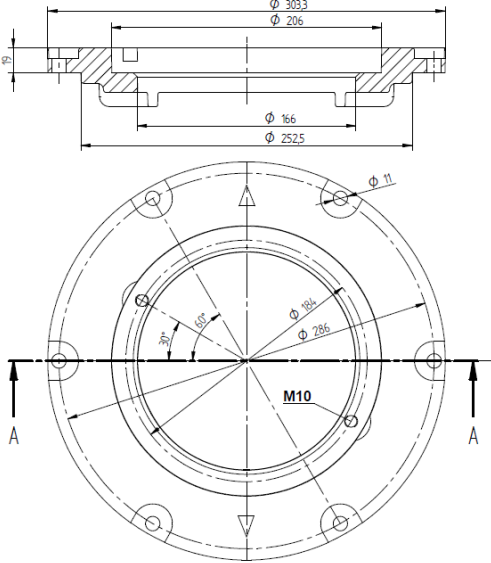
- Robust mechanical design
- Flexible installation possibilities
- Common accessories with level of compatibility between Idman, SafeLED and Thorn lights.

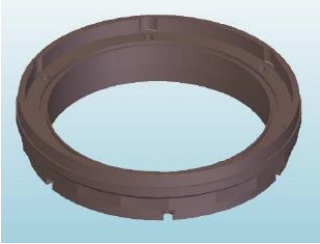
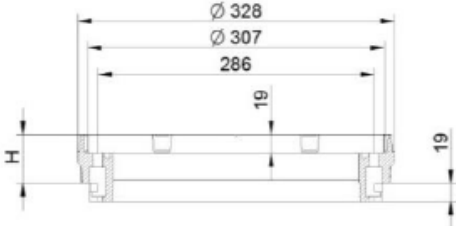
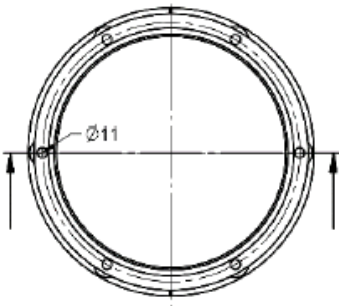
3. TECHNICAL CHARATERISTICS

Characteristic	Description
Dimensions	<p>IDM 5448 Transformer case (L-867 size B)</p>
Application	For applications subject to occasional light vehicular loading but not aircraft or other heavy vehicular loading. Can be used with base plate 6521 and 5838.
Materials	Welded steel construction
Surface treatment	Hot-dip galvanized
Fastener versions	Equipped with L-867 size B bolt pattern
Height/ weight	H=350, 500 mm. Weight 8.5 kg (350 mm), 10.0 kg (500 mm)
Cable access	Two open side entries for cable access. 2x \varnothing 50 mm (H=200/300 mm) and 2x \varnothing 90 mm (H=500 mm). Bottom hole entry, \varnothing 50 mm.
Packing	Delivered separately as bulk. Small quantities are packed in a suitable cardboard box, larger quantities on a pallet. Delivered without accessories.
Order Codes	11552 (H=350) 11553 (H=500)


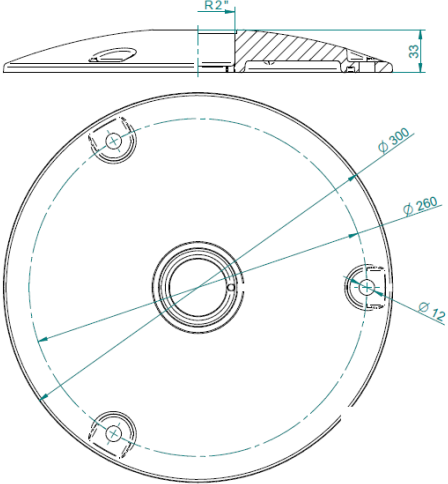
Characteristic	Description
Dimension	<p>IDM 6473 Transformer case (L-868 size B)</p> 
Application	<p>For applications subject to aircraft and other heavy vehicular loading (load bearing). For 12" fittings SafeLED/Idman &Thorn or 8" fittings SafeLED/Idman &Thorn (fixtures with housing for anti- rotation pin) with adapter ring IDM 6479. Can be used with cover plate IDM 6509 and extension ring IDM 6524.</p>
Materials	<p>Welded steel construction</p>
Surface treatment	<p>Hot-dip galvanized</p>
Fastener versions	<p>Equipped with L-867 size B (bolt pattern).</p>
Height/ weight	<p>H=350 mm. Weight 10.4 kg</p>
Cable access	<p>Two open side entries for cable access, 2xØ 50 mm and bottom hole entry, Ø 50 mm</p>
Packing	<p>Delivered separately as bulk. Small quantities are packed in a suitable cardboard box, larger quantities on a pallet. Delivered without accessories.</p>
Order Codes	<p>11218</p>

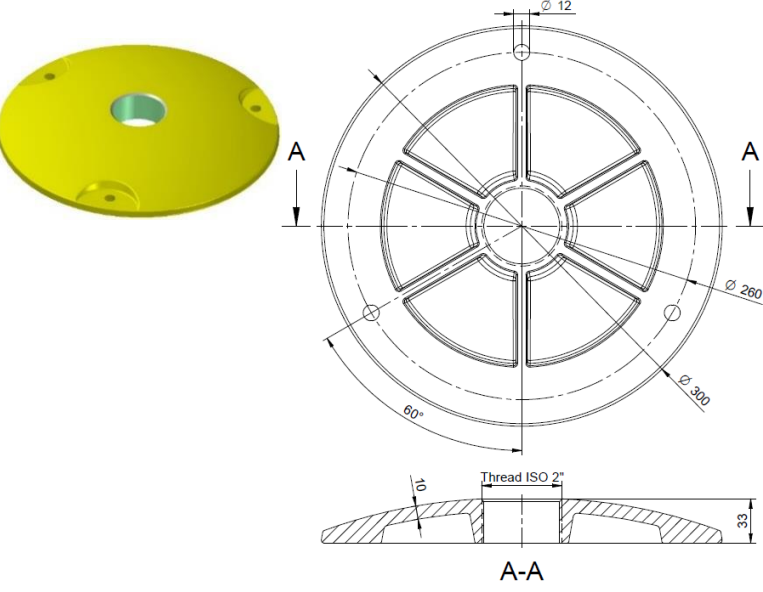
Characteristic	Description
Dimension	<p>IDM 6508 Transformer case (L-868 size B)</p>
Application	<p>For applications subject to aircraft and other heavy vehicular loading (load bearing). For 12" fittings SafeLED/Idman & Thorn or 8" fittings SafeLED/Idman & Thorn (fixtures with housing for anti- rotation pin) with adapter ring IDM 6479. Can be used with cover plate IDM 6509 and extension ring IDM 6524.</p>
Materials	<p>Welded steel construction</p>
Surface treatment	<p>Hot-dip galvanized</p>
Fastener versions	<p>Equipped with L-867 size B (bolt pattern)</p>
Height/ weight	<p>H=610 mm. Weight 20.5 kg</p>
Cable access	<p>Two open side entries for cable access, 2xØ 60 mm</p>
Packing	<p>Delivered separately as bulk. Small quantities are packed in a suitable cardboard box, larger quantities on a pallet. Delivered without accessories.</p>
Order Codes	<p>11226</p>

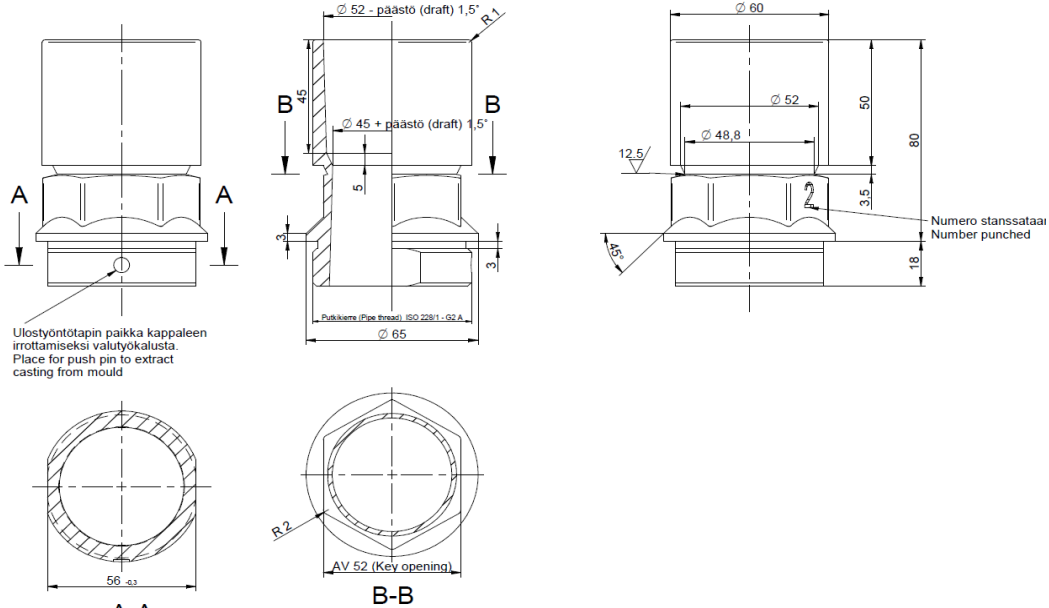
Characteristic	Description
<p>Dimension</p>	<p>IDM 6479 Adapter ring 12"-8"</p>  
<p>Application</p>	<p>Used to install 8" inset fittings into a 12" Safegate/Idman/Thorn base (studs version). For 8" fittings SafeLED/Thorn (fixtures with housing for anti-rotation pin)/Idman.</p>
<p>Materials</p>	<p>Anodized aluminium</p>
<p>Fastener versions</p>	<p>Available only with inset thread (M10 metric threads with locking features)</p>
<p>Height/ weight</p>	<p>Flange height H=19 mm. Weight 2.6 kg</p>
<p>Packing</p>	<p>Delivered separately as bulk. Small quantities are packed in a suitable cardboard box, larger quantities on a pallet. Delivered without accessories such as gasket, bolts, locking washers or nuts.</p>
<p>Order Codes</p>	<p>15590</p>

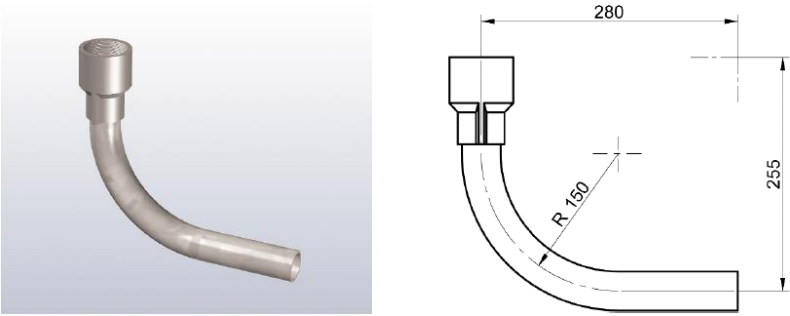
Characteristic	Description																		
Dimension	<p>IDM 6524 Extension ring</p>   																		
Application	<p>Extension ring with 19 mm flange height. 2,3,4 and 5 mm spacer rings available for samll adjustments. Used with 12" bases from Safegate/Idman and transformer cases IDM 6508/6473.</p>																		
Materials	Anodized aluminium																		
Fastener versions	M10x20 DIN 7984 bolts for fixing of ring to base (included). Fittings to be fastened onto the ring with standard M10x25 bolts (excluded).																		
Height/ weight	Flange height H=19 mm. Weight 2 kg																		
Order Codes	<table border="0"> <thead> <tr> <th>Extension rings</th> <th>Spacer rings</th> </tr> </thead> <tbody> <tr> <td>11234 H=30mm</td> <td>11998 H=2mm</td> </tr> <tr> <td>16293 H=35mm</td> <td>11999 H=3mm</td> </tr> <tr> <td>16294 H=40mm</td> <td>12000 H=4mm</td> </tr> <tr> <td>16307 H=45mm</td> <td>16248 H=5 mm</td> </tr> <tr> <td>11235 H=50mm</td> <td></td> </tr> <tr> <td>16295 H=55mm</td> <td></td> </tr> <tr> <td>16296 H=60mm</td> <td></td> </tr> <tr> <td>16297 H=65mm</td> <td></td> </tr> </tbody> </table>	Extension rings	Spacer rings	11234 H=30mm	11998 H=2mm	16293 H=35mm	11999 H=3mm	16294 H=40mm	12000 H=4mm	16307 H=45mm	16248 H=5 mm	11235 H=50mm		16295 H=55mm		16296 H=60mm		16297 H=65mm	
Extension rings	Spacer rings																		
11234 H=30mm	11998 H=2mm																		
16293 H=35mm	11999 H=3mm																		
16294 H=40mm	12000 H=4mm																		
16307 H=45mm	16248 H=5 mm																		
11235 H=50mm																			
16295 H=55mm																			
16296 H=60mm																			
16297 H=65mm																			


Characteristic	Description
Dimension	<p>IDM 6509 Cover plate</p>
Application	Aluminium or steel cover plate for transformer cases IDM 6473/6508 and for 12" Safegate/Idman bases. BSP threaded frangible couplings can be used with the R2" threaded version.
Materials	Aluminium or steel
Surface treatment	Hot-dip galvanized
Fastener versions	Option with internal thread ISO 228/1-G2 (BSP) connection for frangible coupling
Height/ weight	Flange height H=19 mm. Weight 10.5 kg
Packing	Small quantities are packed in a suitable cardboard box, larger quantities on a pallet. Delivered without accessories such as gasket and bolts.
Order Codes	<p>11227 Aluminium cover plate 11228 Aluminium cover plate with BSP R2" thread (connection of frangible coupling) 11229 Steel cover plate (loadbearing)</p>

Characteristic	Description
Dimension	IDM 5838 Base plate  
Application	Aluminium base plate for L-867 size B transformer case IDM 5448, and connection of BSP threaded frangible coupling
Materials	Aluminium
Surface treatment	Chromatised and power coated aviation yellow
Fastener versions	Internal thread ISO 228/1-G2 (BSP) connection for frangible coupling (R"2)
Weight	1.5 kg
Packing	Small quantities are packed in a suitable cardboard box, larger quantities on a pallet. Delivered with o-ring 229,3x5,7 NBR70, BLACK and 3 pcs M10x25 bolts
Order Codes	10876

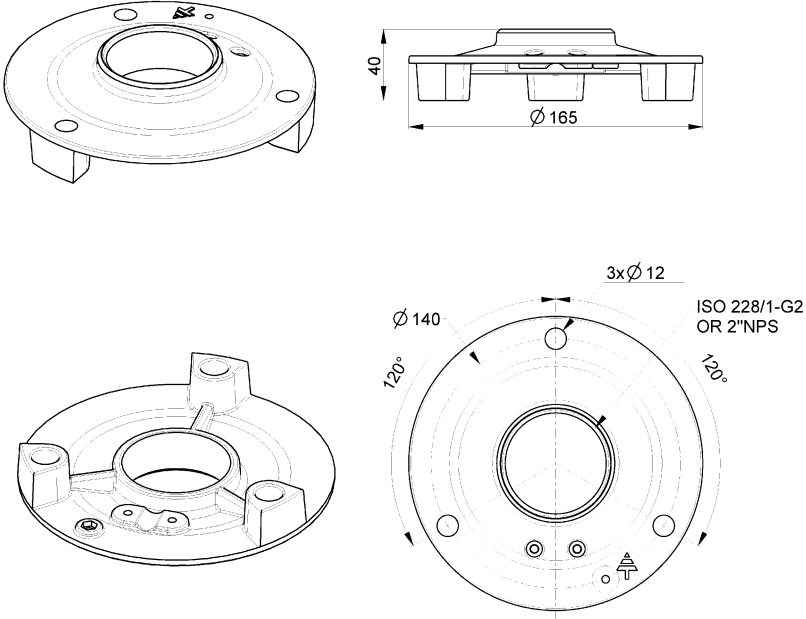
Characteristic	Description
<p>Dimension</p>	<p>IDM 6521 Base plate for signs</p> 
<p>Application</p>	<p>Aluminium base plate for Idman guidance signs with connection of BSP threaded frangible coupling. Can be mounted on transformer case IDM 5448.</p>
<p>Materials</p>	<p>Aluminium</p>
<p>Surface treatment</p>	<p>Anodized aluminium</p>
<p>Fastener versions</p>	<p>Internal thread ISO 228/1-G2 (BSP) connection for BSP threaded frangible coupling (R"2)</p>
<p>Weight</p>	<p>2.6 kg</p>
<p>Packing</p>	<p>Small quantities are packed in a suitable cardboard box, larger quantities on a pallet. Delivered without accessories such as gasket and bolts.</p>
<p>Order Codes</p>	<p>11230</p>

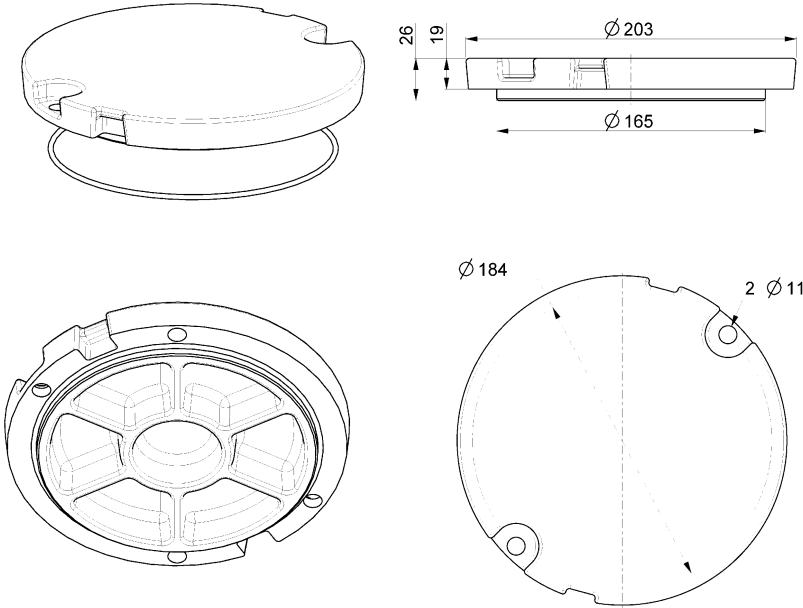
Characteristic	Description
<p>Dimension</p>  <p>Ulostyöntötäpin paikka kappaleen irrottamiseksi valutyökälusta. Place for push pin to extract casting from mould</p> <p>A-A</p> <p>B-B</p>	<p>IDM 5840 Frangible coupling</p>
<p>Application</p>	<p>Aluminium frangible coupling to be used with base plate IDM 6521, cover plate 6509, tripod stand BSP, IDMAN guidance signs and IDM 5839</p>
<p>Materials</p>	<p>Cast aluminium alloy</p>
<p>Surface treatment</p>	<p>Chromatised and powder coated aviation yellow</p>
<p>Fastener versions</p>	<p>Key opening 52 mm. Thread ISO 228/1-G2 A (BSP)/R”2</p>
<p>Weight</p>	<p>0,2 kg</p>
<p>Packing</p>	<p>Delivered separately as bulk. Small quantities are packed in a suitable cardboard box, larger quantities on a pallet.</p>
<p>Order Codes</p>	<p>11555</p>

Characteristic	Description
Dimension	IDM 5839 Curved tube 
Application	Steel curved tube for connection to BSP threaded frangible couplings
Materials	Tube hot galvanized steel
Surface treatment	Adapter cast aluminium alloy
Fastener versions	Thread ISO 228/1-G2 A (BSP)/R2"
Weight	1,5 kg
Packing	Delivered separately as bulk. Small quantities are packed in a suitable cardboard box, larger quantities on a pallet.
Order Codes	11554

Characteristic	Description
Dimension	EI-fix 60 mm tube 
Application	Tube to be used with frangible coupling BSP/NPS for elevated fittings on ground fixation. For elevated fittings that attach on 60mm support.
Materials	Aluminium alloy
Surface treatment	Powder coated in aviation yellow
Fastener versions	The external diameter is 60 mm
Height/ weight	Available lengths 1,1m, 1,4 m, 2,0 m. Weight 1,02Kg/m.
Packing	Delivered separately as bulk. Small quantities are packed in a suitable cardboard box, larger quantities on a pallet.
Order Codes	12507 H=1,1 m 12508 H=1,4 m 12510 H=2 m

Characteristic	Description
Dimension	<p>Frangible coupling BSP/NPS</p>
Application	<p>Frangible coupling to be used with 60 mm tube for elevated fittings on ground fixation.</p> <p>Can be used in conjunction with tripod stand, IDM 5839 curved tube, base plate IDM 5838/6521 and cover plate IDM 6509.</p>
Materials	Aluminium alloy casting
Surface treatment	Powder coated in aviation yellow
Fastener versions	<p>The frangible coupling is delivered fitted with sets of screws and locking nuts allowing the mounting and the adjustment of the 60 mm tube on it. All fixings and fastenings are stainless steel.</p> <p>Mounting of the frangible coupling on its ground fixation is obtained by screwing onto the 2" thread of the support. The frangible coupling can be supplied either with 2 "NPS thread or with 2 "BSP thread.</p>
Weight	0,8 kg
Packing	Small quantities are packed in a suitable cardboard box. Larger quantities on a pallet.
Order Codes	<p>12533 (BSP), 10148 (NPS), applicable fittings:</p> <ul style="list-style-type: none"> • PU3L • HBA • Every light that can fit on a 60mm tube (Approach, threshold, end, stop bar light) • Everything that can fit on a 60mm tube <p>14884 (BSP), 14888 (NPS), applicable fittings:</p> <ul style="list-style-type: none"> • ERG and SL RGL-E with FAA standing • Everything that can fit on a 60mm tube and need more resistance

Characteristic	Description
<p>Dimension</p>	<p>Tripod stand BSP/NPS</p>  <p>The drawings include: - A perspective view of the tripod stand. - A side view showing a height of 40 and a diameter of $\varnothing 165$. - A perspective view of the stand with three mounting rods. - A top view showing a diameter of $\varnothing 140$, three mounting holes of $3 \times \varnothing 12$, and a central hole labeled 'ISO 228/1-G2 OR 2" NPS'. The mounting holes are spaced at 120° intervals.</p>
<p>Application</p>	<p>Used to fix on ground elevated light with any of the frangilbe couplings or directly on elevated light with 2" thread</p>
<p>Materials</p>	<p>Aluminium alloy casting</p>
<p>Surface treatment</p>	<p>Powder coated in aviation yellow</p>
<p>Fastener versions</p>	<p>The fitting support fixing is made screwing this one on the tripod stand 2" threaded hole. The tripod stand is supplied either with 2" NPS thread or with 2" BSP thread.</p> <p>The tripod stand is fixed on the concrete with three M10 sealing rods 120mm long, each one of these rod is fitted with a M10 nuts, or with three M10 expansion anchor studs. These sealing rods and anchor studs are supplied separately.</p> <p>To earth the tripod, earthing accessories (crimping terminal and fixing screw) can be supplied separately.</p> <p>A stainless steel crimping terminal can be supplied separately to crimp the cable with section of conductor from 4 to 6 mm².</p>
<p>Weight</p>	<p>0,36 kg</p>
<p>Packing</p>	<p>Small quantities are packed in a suitable cardboard box, larger quantities on a pallet.</p>
<p>Order Codes</p>	<p>12532 tripod with NPS thread 12534 tripod with BSP thread 13434 set of 10 earthing accessories 16094 M10 expansion anchor stud (stainless steel)</p>

Characteristic	Description
Dimension	<p>Base plate 8"</p> 
Application	Cover plate (including 2 anti-rotation pins) for Safegate/Thorn/Idman 8" bases.
Materials	Aluminium alloy casting
Surface treatment	Anodization
Fastener versions	Supplied with a O-ring gasket Fixed on the base with 2 M10 nuts (base with M10 studs) or M10 screws
Weight	1,3 kg
Packing	(Delivered in cardboard box by set of 3 covers). Small quantities are packed in a suitable cardboard box, larger quantities on a pallet. O-ring gasket included, 160X3 EPDM 70 Shore A.
Order Codes	12591

-2" NPS = 11, 5 threads/inch.

-2" BSP = ISO 228/1-G2 - 11 threads/inch.

Note: Component availability or design may be subject to change due to unforeseen circumstances. This document is subject to change or new information from Safegate Group, as and when available or if required, with reservation for error or price changes.

For more information, contact Safegate Group or see www.safegate.com.

Check in to the future

How many aircraft can your airport handle today?

Can this number be increased without adverse effects on the airport's safety level?

It is a known fact that traffic volume will rise in the foreseeable future. More movements will demand monitoring of the entire airport. Requirements will be sharpened and the development of an integrated system

controlling not only ground movements but also air traffic close to the airport is of the highest interest.

The International Civil Aviation Organization (ICAO) already describes A-SMGCS, Advanced Surface Movement Guidance and Control System, as the answer to the future modern airport need to control the entire airport space in one superior system.

To a larger extent than today's systems, A-SMGCS will rely on automated processes to give both pilots and traffic controllers exact information about positions and directions. Safegate Group delivers complete A-SMGCS solutions already, as well as all vital parts relating to it.

Safegate Group can check your airport into the future – today!



Safegate Group HQ

Djurhagegatan 19
SE-213 76 Malmö, Sweden
Phone: +46 (0)40 699 17 00
Fax: +46 (0)40 699 17 30
E-mail: market@safegate.com

Australia

australia@safegate.com
+61 (0)3 9720-3233

Austria

office@avibit.com
+43 316 429961

Brazil

brazil@safegate.com
+55 11 2137 4405

China

china@safegate.com
+8610-85275297

Dubai

dubai@safegate.com
+971 4 452 75 75

Finland

finland@safegate.com
+358 (0)20754 7700

France

france@safegate.com
+33 (0)1 42 99 60 40

Germany

germany@safegate.com
+49 (0)4121 464 303

India

india@safegate.com
+91 11 4106 1545

Malaysia

malaysia@safegate.com
+60 32 011 3522

Qatar

qatar@safegate.com
+974 436 9628

Russia

russia@safegate.com
+7 495 917 4614

Singapore

singapore@safegate.com
+65 6289 6893

Spain

spain@safegate.com
+34 917 157 598

UK

uk@safegate.com
+44 (0)208 573 0384

USA

usa@safegate.com
+1 763 535 92 99



Safegate Group offers solutions for increased safety, efficiency and environmental benefits to airports worldwide. The company was founded in 1973 and has its headquarters in Malmö, Sweden. Safegate Group has more than 70 partners around the globe in order to be close to its customers.

Earlier members of Safegate Group include Thorn AFL and Idman, who both have over 40 years of experience in airfield lighting solutions for airports and heliports. The latest member of Safegate Group is Avibit, a leading provider of next generation software applications and integration of efficient air traffic control systems. Safegate Group's complete range of products and services, a "one-stop shop", provides solutions to customers and airborne travellers around the globe.

www.safegate.com